

Microcontroller liquid level controller DS-WLC-1001

DS-WLC-1001 is water level controller with stainless steel (INOX 316) probes for use with nonflammable liquids.

BASIC CHARACTERISTICS

- waterproof integrated liquid level system
- plastic housing for use in corrosive atmospheres
- light level indicators on front side
- EMC protected
- built in microcontroller for controlling all basic regulation parameters
- two pairs of probes for liquid level hysteresis setup
- 5 probes for level regulation
- preprogrammed reaction delay of 0.5 sec (for stability reasons)
- possible use in configuration for only 3 probes
- possible use of 2 floating probes
- software changes on request for special use

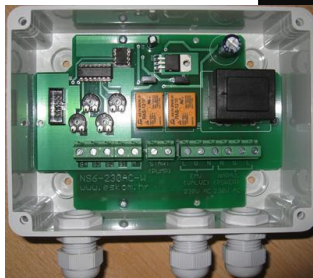
MAIN PARTS

- waterproof housing
- internal electronics protected from corrosive atmospheres
- microcontroller for controlling all system parameters
- direct control of electromagnetic valves
- up to 5 probes made of INOX 316 stainless steel (more probes on request)
- accept cable wires up to 2,5 mm²
- relay contacts for currents from 3 to 10 A (model dependent)
- direct connection for loads up to 2,2 kW (at Un = 230 V AC)

TECHNICAL CHARACTERISTICS

Power supply	230 V AC 50Hz (-15% to +10%) or 24 V DC (-35% to +30%)
Consumption	1,5 W + power of electromagnetic valve
Effective current of relay contacts	5 to 10 A (RMS) at 24 V AC or 3 to 5 A (RMS) at 230V AC
Environmental protection	IP 54 to IP65
Probe voltage	5 V; DC
Sensitivity	0 to 75 kΩ (adjustable)
Required external protection	Fuse 1 A (without electromagnetic valve)

5 year warranty



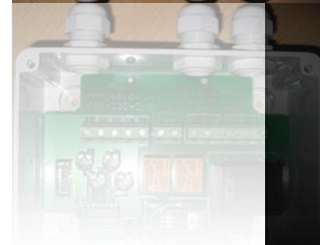
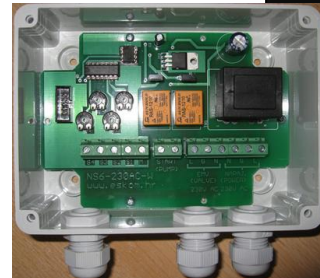
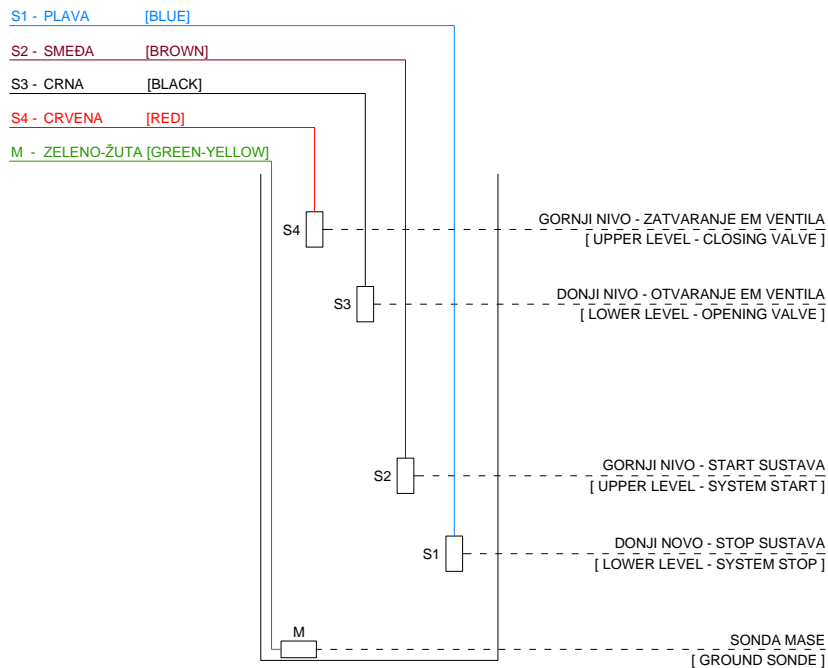
Microcontroller liquid level controller DS-WLC-1001

Model markings:

DS-WLC-1001-X₁X₂X₃

- X₁ : 3 = three probes
 5 = five probes
- X₂ : L = power supply 24 V AC/DC
 H = power supply 220/230 V AC (50/60 Hz)
- X₃ : A = AC direct power for electromagnetic valve
 D = DC direct power for electromagnetic valve
 N = relay contacts for controlling electromagnetic valve

Example of probe placing for model DS-WLC-1001-5LA



Microcontroller liquid level controller DS-WLC-1001

Prices (models: 5HA i 5HD):

Quantity	Unit price
1 do 4	1.995,00 kn
5 do 9	1.805,00 kn
10 do 49	1.710,00 kn
50 do 99	1.615,00 kn
100 do 199	1.425,00 kn
200 do 499	1.235,00 kn
500 do 999	1.140,00 kn
≥ 1000	call for pricing

Prices (models: 3HA i 3HD):

Quantity	Unit price
1 do 4	1.978,00 kn
5 do 9	1.788,00 kn
10 do 49	1.693,00 kn
50 do 99	1.598,00 kn
100 do 199	1.308,00 kn
200 do 499	1.218,00 kn
500 do 999	1.123,00 kn
≥ 1000	call for pricing

Prices (model: 5LN):

Quantity	Unit price
1 do 4	1.960,00 kn
5 do 9	1.770,00 kn
10 do 49	1.675,00 kn
50 do 99	1.580,00 kn
100 do 199	1.390,00 kn
200 do 499	1.200,00 kn
500 do 999	1.105,00 kn
≥ 1000	call for pricing

Prices (model: 3LN):

Quantity	Unit price
1 do 4	1.943,00 kn
5 do 9	1.753,00 kn
10 do 49	1.658,00 kn
50 do 99	1.563,00 kn
100 do 199	1.373,00 kn
200 do 499	1.183,00 kn
500 do 999	1.088,00 kn
≥ 1000	call for pricing

Prices of models A i D (mark X₃): call for pricing

Unit reprogramming: call for pricing

